

# THE FLIPTOP PEZERVATION SOCIETY NEWS



## WORLD TOUR

Begins In This Issue!

TFPS News VOLUME 1-No. 3 JANUARY/FEBRUARY 1996



# THE FLIPTOP PEZERVATION SOCIETY Newsletter

Volume 1, #3 Jan/Feb 1996  
Published by Dennis Martin

Hello everyone! Happy new year and welcome to the 3rd issue of TFPS newsletter. I have amended the calendars in this issue to include the location of the toy shows on the calendar listings. I hope this will help you find them more easily. I try to highlight shows that are spread out all over the country and that sound like they may include PEZ. I have received many calls about the black Batman PEZ. I get questions like "Is it worth \$75 like in Richards book?", "Is black a temporary color?", "Will he be discontinued?". Here's what I know about black Batman: The PEZ company won't reveal when they are going to retire a dispenser, so I don't know how long he will last. Richard has black Batman listed in his book for \$75 because at the time that book was printed, he was only available in Europe and commanded that kind of price. Then Steve Glew returned from Europe with tons of them and dropped the price to \$15. (supply and demand) Then PEZ USA issued black Batman in the US and the value dropped to \$1. PEZ president Scott McWinnie hinted to me last month that Batman was due for a change. So will they redo the caped crusader and discontinue all current lines? Only they know...and they have to protect future projects by not talking. So they COULD go up in value, but right now they are worth about a buck. (the original black Batman in European packaging is the exception) That's all for now. Enjoy the newsletter... and keep those photos and letters coming! (dm)

## SEPARATED AT BIRTH?

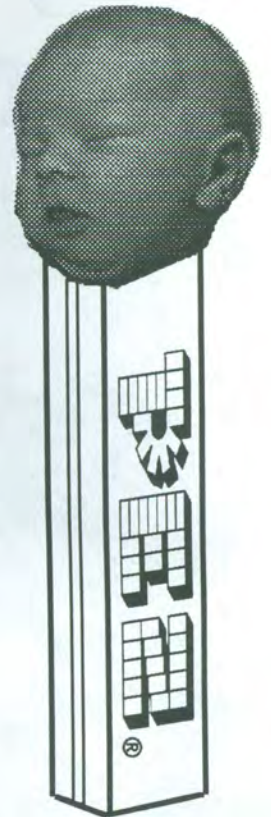


While going through a box of toys recently I came across this ugly troll, and a strange thought came to me. This guy looks like he's related to the PEZ boy! Look at the bulbous nose, the goofy smile with puffy cheeks, the beady little eyes. Perhaps the PEZ boy has evolved from some dark past. I say it's too much of a coincidence to let go unquestioned! What do you think?

Many people are asking me "What's the deal with this PEZ auction by Blackhawk Collectibles?" Here's what I know. I received their flyer in the mail 2 days before the auction. They were selling auction catalogs of all lots in B/W for \$20 and full color for (\$100?) I personally can look at pictures of PEZ alot cheaper than that! I was interested in finding out about the auction for the newsletter, so I called the number on the flyer. I was told I would have to speak to someone else and they would call me back. (They never did) Most people I talked to say they didn't have a good experience with the auction. Maybe it's best to buy PEZ from more "well known" sources. Basically, if you've never heard of a dealer...buy at your own risk!

## IT'S A BOY!

We have a new future PEZ collector in the Fliptop family! **Luke Alexander Martin** was born December 12th to Dennis and Angie Martin (your publishers) He weighed in at 8 lb, 3 oz. Luke, mom, dad and older sisters are all doing fine!



## DON'T BE LEFT OUT!

The next fun filled newsletter from The Fliptop PEZervation Society isn't far away. If you want to place an ad, story, photo...anything, please send it to me. The deadline is **February 15th**, so for goodness sakes, hurry!

# LETTERS AND STUFF

**Dear Dennis,**

I was so excited when I got my newsletter in the mail. I never thought, in a million years, that I would ever be so excited over pieces of plastic as much as I am. Everyone at school and at home thinks I am nuts! Thanks again for the newsletter

**Sarah Burpee Merrimack, NH**

**Dear Dennis,**

I just recieved my first copy of TFPS News (Vol. 1, No. 2) and my official membership card. Thank you very much. I found the newsletter very fun and informative. I especially enjoyed the history of PEZ guides and articles. I have one suggestion. Could you have a key in your classifieds for all of the abbreviations used? I think this would be helpful for newer collectors. Again, thank you for putting together this great newsletter. It's nice to know others share in the joy of PEZ.

**Celeste Sabers Seattle, WA**

**Celeste,**

**Thanks for your letter. I always appreciate comments and suggestions. Look in this months classifieds for your long distance request and dedication. (dm)**

**Dear Dennis,**

I received my first copy of Fliptop yesterday. I could not believe that I read part of my own letter before I knew it was mine. I didn't even see the pictures of my wooden PEZ racks until I read the first line. I was shocked to see them, but very glad. Thank you. Your newsletter is great. After eight months of trying to find other collectors...Yeah! Many thanks to Maryann Kennedy. She gave me important addresses to other PEZ people. Also, thanks to Richard Geary for telling me about TFPS. I knew the PEZ people I was looking for were out there...I'm glad to finally find them.

**William Daniels Southbridge, MA**



**Dear Dennis,**

I thought you might you might enjoy a photo of my new California vanity plate! I found no other PEZ license plates listed at the DMV, so my choices were endless! I chose "LUV PEZ" not only because I love our hobby, but also because it is written on the stem of my "dream dispenser", the Psychedelic Eye! When I picked the plate up from the DMV, the guy behind the counter said, "Not those little square candies...?"

**Holly Schryver LaCosta, CA**

**Hey Holly,**

**How about these ideas for a future license plate:**

**PEZ BUYR TRT2EAT  
IBUYPEZ PEZHEAD  
INEDPEZ SELLPEZ  
PEZCLTR FLIPTOP**

**Dear Dennis,**

I like the newsletter very much. However, with respects to the "Ejectible Collectibles" article last month, you have done the collecting community a disservice. A child could choke on an "ejected" PEZ or an innocent bystander could be blinded. How would you feel then? We do not need this kind of stuff. I would sooner see a blank page. I don't care if it came from the INTERNET. Garbage is garbage and we don't need this kind of garbage in the newsletter. One more thing...can you ask your readers if anyone has developed a computerized cataloging system for their PEZ collection to write in and describe what they have done?

**H. Elfenstein Philadelphia, PA**

**I have added many VALUABLE PEZ to my collection over the years that the original owners (usually at a garage sale) considered "garbage". I appreciate your comments and concerns. I would hope anyone would use their own discretion when playing with any toy. If there are some articles you would like to see printed, please send them in.(dm)**

**Dear Dennis,**

**Enjoyed the second issue! I collect**

stem variations in edition to "normal" collecting. After ordering Canadian variations (ie-Nermal w/ purple stem, Garfield w/cap & purple stem) something occurred to me. Why is PEZ Canada allowing such combinations...and will we next see Santa with purple stem? And what is the fascination with purple? I do like variations, but I believe a company like PEZ who has stressed perfect matching of stem colors to heads has gone too far. **Gary Olsen, Stanhope, NJ**

**Hi Dennis,**

Thanks for my first issue of TFPS news and the membership certificate & card. Just wanted to let you know that I love the newsletter and I have already found it helpful. I'm a relatively new collector and it's great to get PEZ related news, particularly here where there doesn't seem to be any other collectors...or at least I don't know who they are. Maybe one day you could publish a directory of members. Keep up the good work.

**Kathryn Thomas Hopewell, VA**

**Dear Dennis,**

I thought I'd share a couple of PEZ photos with the newsletter. The first photo kind of goes along with the spray painted STOP sign in the first issue! This is a wall inside the Kongfrontation King Kong ride at Universal Studios in Orlando, FL. I'm not the graffiti artist but I thought it was cool. The second photo is my 22nd birthday cake from this past May. My mom surprised me by making this cake for me. It was a neat surprise! Just thought I'd share the photos. I'm really enjoying

the newsletter. Keep up the good work!

**Andrea Tolley, Greenville, SC**



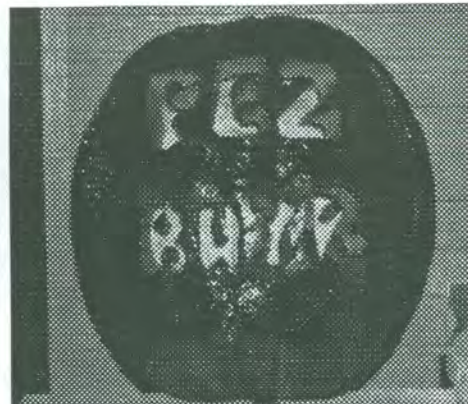
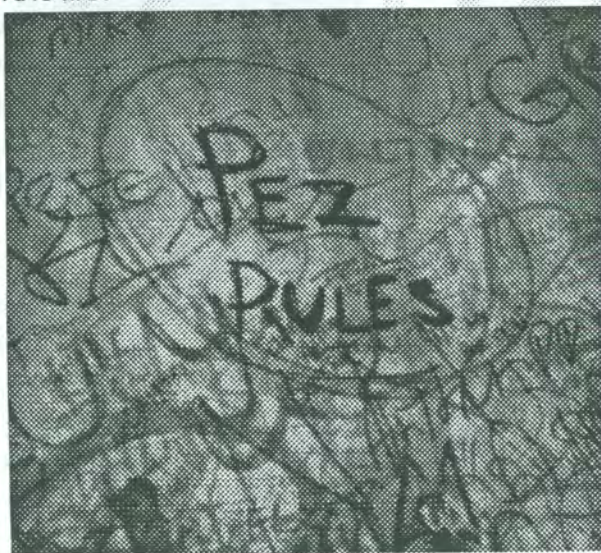
**Dear Dennis,**

The newsletter is great! Wishing you continued success! I framed my membership certificate and hung it on the wall with my other great PEZ memorabilia. Thanks. Looking forward to the next issue of The Fliptop PEZervation Society News!

**Sharon Goodis San Diego, CA**

**QUESTION OF THE MONTH**

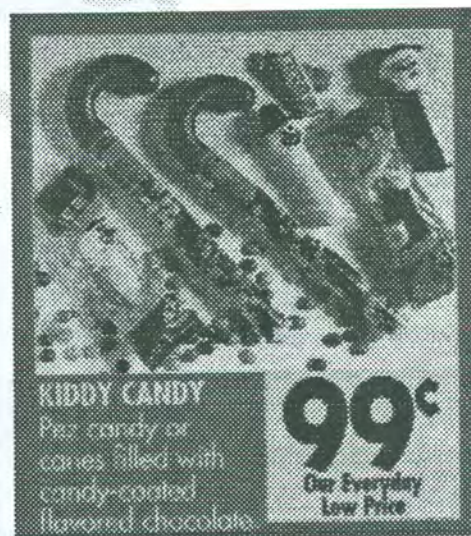
What are your favorite of the PEZ body parts? Which PEZ dispensers do you like to put yours on? Let me hear from you!



Conita Williams' Jack-o-lantern



Conita Williams Halloween costumes



Recent photo in a Michaels Craftstore advertisement.

# 4TH ANNUAL NATIONAL PEZ CONVENTION

JUNE 14TH and 15TH 1996

LOCATION: AIRPORT HILTON, 10330 NATURAL BRIDGE, ST. LOUIS, MISSOURI  
PH# 314-426-5500

\*REGISTRATION\* YOU GET PACKET, INCLUDING T-shirt, Bumper Sticker, Button, Booklet,  
3 Raffle Tickets, Admission to Show & Auction and MORE!

\$29.00 per person (\$35 after June 7) DEALERS TABLES \$20 EACH (\$35 after May 15)

SEND Check or Money Order TO:

John "The Cool PEZ Man" Devlin...640 Aqua Ridge, St. Louis, MO 63129

NAME \_\_\_\_\_ PHONE \_\_\_\_\_  
ADDRESS \_\_\_\_\_  
CITY \_\_\_\_\_ STATE \_\_\_\_\_ ZIP \_\_\_\_\_  
T-SHIRT SIZE-Small \_\_\_\_\_ Medium \_\_\_\_\_ Large \_\_\_\_\_ XL \_\_\_\_\_  
# DEALER TABLES \_\_\_\_\_ TOTAL ENCLOSED \_\_\_\_\_ \$ \_\_\_\_\_

Need More Info? Send a S.A.S.E. to John Devlin. (Above address)

BUY \* SELL \* TRADE \*  <sup>®</sup>  
DOOR PRIZES \* GAMES \* RAFFLES

Hosted by John "The Cool PEZ Man" Devlin

With help from Maryann Kennedy, considered most knowledgeable PEZZER

FRIDAY  
JUNE 14TH:

All day-HOSPITALITY ROOM (#810) Stop by to register & pick up packet. See many RARE PEZ on display, Chat, Room hop. (Chart in room will tell rooms that are open.)

5pm-9pm-BUFFET Pay at hotel. Changes weekly-last year; prime rib, shrimp, pasta, salad, very rich deserts, & much more!

7pm-ORIENTATION

7:30pm-PEZ BINGO, then more room hopping!

SATURDAY  
JUNE 15TH:

7am-8am DEALER SET-UP

8am-9am REGISTERED PEOPLE

9am-1pm SHOW, RAFFLES, DOOR PRIZES

(9:00-Show opens to the public. \$5.00 Admission)

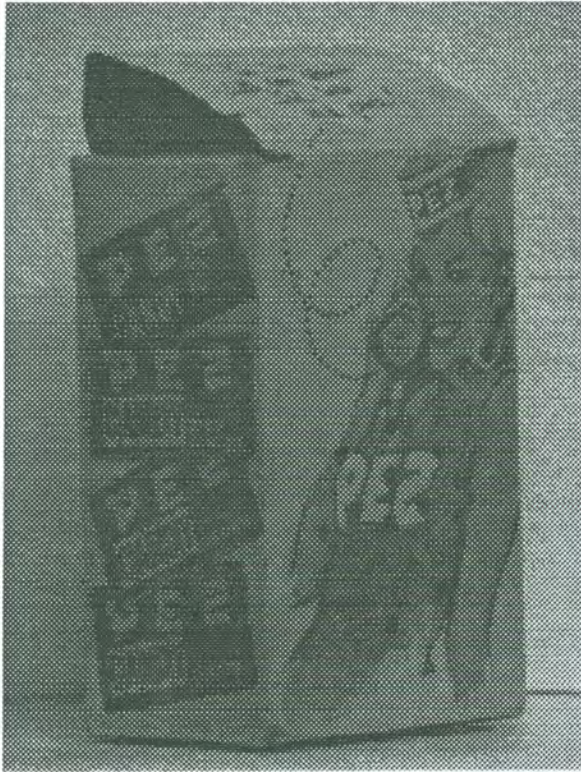
4pm-7pm AUCTION-and Snow White PEZ raffle!(Donated by S.J. Glew)

.....  
HOTEL RESERVATIONS: Call 1-800-345-5500 Special \$67 convention room rate. (1-4 people) MUST mention St. Louis Airport PEZ Convention for special rate. Free transportation to & from airport.

Room Hopping at own risk. Wear name tags at all times. (note: PEZ Convention not affiliated with PEZ Candy Inc.)

# EXTRAL PEZ TUB-BITS

C O O L



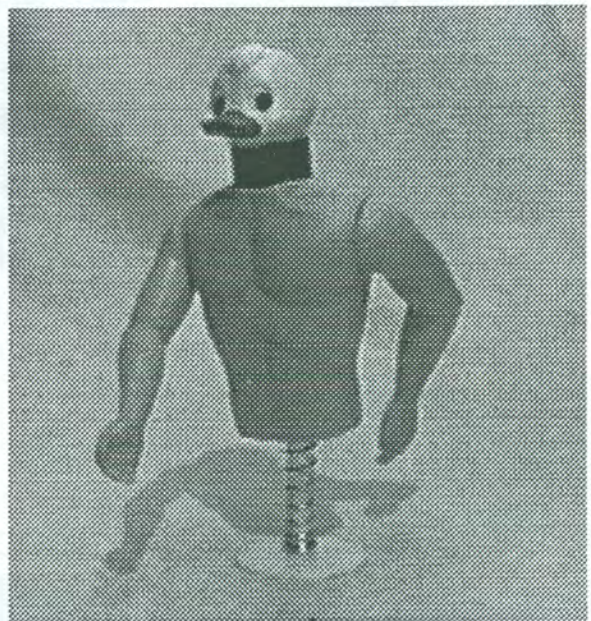
## The PEZ Musicbox

This very unique PEZ item was just purchased by Jack Barringer for an enormous amount of money! Jack says it's the only one he knows of. Jack bought it from John Tonkavick, who recently sold his collection in the Blackhawk auction. Here's the best history I could come up with about the box; Wayne Thomas of Ohio bought it at some collectibles show in the early 90's. Wayne later sold it to John Tonkavick who kept it in his collection until the recent Blackhawk auction. The box is a battery operated "toy" that has a PEZ girl on the front and candy wrappers on the sides. Small holes in the front hide a speaker and the girl's phone hides a small button. When activated, the box talks, although we don't know what it says because it doesn't work. But on the top of the box is written "Let me tell you about the new 10 cent piece!". Maybe this was a salesman's sample or a store display? Whatever it is...it's definitely very cool!

## PEZ IN THE SPOTLIGHT



A PEZ dispenser has a cameo appearance in Disney's new movie **TOY STORY**. The PEZ is part of several toys put together to make a hybrid creature. It comes late in the movie, and you have to look closely or you may not recognize it. This is basically what it looks like in the movie. (my own re-creation)



NBC's **Caroline in the City** mentioned PEZ recently. The main characters were dressed in pink jumpsuits for a parade and one character said they all looked like PEZ dispensers.

The hit gameshow **Jeopardy** featured a PEZ dispenser as a "Daily Double" question recently. In the category of collectibles, the question was "Brand of dispenser seen here" Alex Travec then held up a Daffy Duck PEZ and flipped the head. Of course the contestant got the answer correct!

# PEZ CHECKLIST

NOVEMBER 1995

## CHRISTMAS

- Angel A\*-painted eyes
- Angel B-rem. eyes
- Angel Ornament
- Rudolph
- Santa A-long face
- Santa B-small face
- Santa C\*-big head
- Santa w/eyes
- Santa Ornament
- Snowman A-rem. pieces
- Snowman B-molded pieces
- Snowman C-1 piece mouth

## CIRCUS

- Big Top Elephant/flat hat\*
- Big Top Elephant/pointed hat\*
- Big Top Elephant/hair\*
- Clown w/chin\*
- Clown w/collar
- Gorilla
- Li'l Lion\*
- Mama Giraffe
- Mimic the Monkey\*
- Monkey Sailor
- Pony Go Round\*
- Roar the Lion\*

## CRAZY FRUIT

- Orange
- Pear
- Pineapple

## DIE-CUTS

- Bozo
- Casper\*
- Donald Duck
- Easter Bunny
- Mickey Mouse

## DINOSAURS (1994)

- Brutus
- Chaos
- Titus
- Venezia

## DISNEY

- Baloo\*
- Bambi
- Bouncer Beagle (1992)
- Captain Hook
- Chip\*
- Dalmation Pup
- Dewey (blue cap)
- Donald Duck-small head
- Donald Duck remake (1989)
- Dopey
- Duck Child\*
- Dumbo\*
- Goofy A-rem. teeth
- Goofy B\*-tem. teeth/nose
- Goofy C\*-solid teeth
- Goofy remake (1989)
- Gyro Gearloose (1992)
- Huey (red cap)
- Jiminy Cricket
- King Louie\*
- Li'l Bad Wolf
- Louie (green cap)
- Mary Poppins
- Mickey Mouse A-cut face
- Mickey Mouse B-painted
- Mickey Mouse C-rem.nose
- Mickey Mouse D-solid nose
- Mickey Mouse remake (1989)
- Mowgli\*
- Peter Pan
- Pinocchio A\*-painted face

- Pinocchio B\*
- Pluto A\*-rounded head
- Pluto B\*-flat head
- Pluto remake (1989)
- Practical Pig A-round hat
- Practical Pig B-crooked hat
- Scrooge McDuck-smaller
- Scrooge McDuck remake
- Snow White\*
- Thumper\*
- Tinkerbell\*
- Webby (1992)
- Winnie the Pooh
- Zorro A-straight mask
- Zorro B-curved mask
- Zorro w/logo

## EASTER

- Bunny A-one piece
- Bunny B-one piece
- Bunny\*-fat ears
- Bunny (1990)
- Chick in Egg w/Hat A\*-diecut eyes
- Chick in Egg w/Hat B\*-painted eyes
- Chick in egg w/Hat C\*-egg remake
- Chick in Egg w/o Hat\*
- Duck w/Flower\*
- Lamb
- Rooster\*

## ERIE SPECTRES

(all rubber heads)

- Air Spirit
- Diabolic
- Scarewolf
- Spook
- Vamp
- Zombie

## FULL BODY

- Santa Claus
  - Space Trooper\*
- ## HALLOWEEN
- Blob Octopus\*
  - Dr Skull A-smaller head
  - Dr Skull B (1991)
  - Fishman\*
  - Mr Ugly\*
  - One Eyed Monster\*
  - Pumpkin\*-small head
  - Pumpkin remake (1991)
  - Witch (Regular)
  - Witch\*
  - Witch 3-piece A\*
  - Witch 3-piece B (1991)

## HUMANS

- Astronaut 1\*-small helmet
- Astronaut 2\*-big helmet
- Cowboy\*
- Football Player\*
- Pilot
- Spaceman
- Stewardess

## Bi-centennial

- Betsy Ross
- Captain\*
- Daniel Boone\*
- Indian Brave\*
- Indian Chief\*
- Indian Maiden
- Pilgrim\*
- Uncle Sam\*
- Wounded Soldier\*

## KOOKY ZOO

- Cockatoo\*
- Crocodile\*
- Cow A\*
- Cow B\*
- Panda A\*-rem. pieces
- Panda B (1990)-painted pieces

- Panther
  - Puzzy Cat\*
  - Raven\*
  - Yappy Dog\*
- ## LICENSED CHARACTERS
- Annie
  - Asterix
  - Bozo
  - Bullwinkle\*
  - Casper\*
  - Muselix
  - Obelix
  - Peter PEZ A
  - Peter PEZ B (1993)-new decal

## Flintstones (1993)

- Barney
  - Dino
  - Fred
  - Pebbles
- ## Garfield (1988)
- Arlene
  - Garfield
  - Garfield w/teeth A
  - Garfield w/teeth B-dif. decal
  - Garfield w/visor
  - Nermal

## MG M

- Barney Bear
- Droopy Dog A-rem. ears
- Droopy Dog B-painted ears
- Jerry A\*-all painted
- Jerry B\*-rem ear pieces
- Jerry C-rem. nose/ear pieces
- Spike A\*-painted eyes
- Spike B-decal eyes
- Tom Cat A-all painted
- Tom Cat B-rem. pieces
- Tom Cat C-new painted
- Tuffy A-all painted
- Tuffy B-rem. ear pieces
- Tuffy C-rem nose/ears
- Tyke A-painted eyes
- Tyke B-decal eyes

## Univ. Monsters

- Creature from the Black Lagoon
  - Frankenstein
  - Wolfman
- ## Muppets (1991)
- Fozzie Bear
  - Gonzo
  - Kermit the Frog
  - Miss Piggy A-eye lashes
  - Miss Piggy B-no lashes

## Peanuts (1990)

- Charlie Brown
- Charlie Brown w/eyes closed
- Charlie Brown w/frown
- Charlie Brown w/tongue
- Lucy
- Lucy w/eye whites
- Snoopy A-open eyes
- Snoopy B-eyes closed
- Woodstock
- Woodstock w/feathers

## Popeye

- Brutus
- Olive Oyl
- Popeye A\*-painted face
- Popeye B\*-solid pipe
- Popeye C\*-rem. pipe

## Smurfs

- Papa Smurf (1989)
- Smurf \*(1986)
- Smurfette (1989)

## Superheroes

- Batgirl (soft)
- Batman\*
- Batman (soft)
- Batman w/cape\*

- Captain America\*
  - Green Hornet\*
  - Hulk A\*-smaller head
  - Hulk B (1991)
  - Joker (soft)
  - Penguin (soft)
  - Spiderman A-smaller head
  - Spiderman B (1991)
  - Thor
  - Wonder Woman A-emboss star
  - Wonder Woman B-flat star
  - Wonder Woman (soft)
- ## Tecnage Mutant Ninja Turtles (1994)
- Donatello (purple)
  - Donatello w/teeth
  - Leonardo (blue)
  - Leonardo w/teeth
  - Michelangelo (orange)
  - Michelangelo w/teeth
  - Raphael (red)
  - Raphael w/teeth

## Warner Bros.

- Bugs Bunny\*
- Bugs Bunny remake (1995)
- Cool Cat\*
- Daffy Duck A-rem. eyes
- Daffy Duck B-painted eyes
- Daffy Duck C-decal eyes
- Daffy Duck remake (1995)
- Foghorn Leghorn
- Henry Hawk
- Merlin Mouse
- Petunia Pig
- Roadrunner A-painted eyes
- Roadrunner B-decal eyes
- Speedy Gonzales\*
- Speedy Gonzales remake (1995)
- Sylvester A-long hairs
- Sylvester B-short hairs
- Sylvester C-whiskers
- Tweety A-rem. eyes
- Tweety B-painted eye
- Tweety C-decal eyes
- Wile E. Coyote\*

## MERRY MUSIC MAKERS

- Camel
- Clown\*
- Dog
- Donkey
- Duck
- Frog
- Indian
- Koala\*
- Lamb\*
- Monkey
- Panda\*
- Parrot\*
- Penguin\*
- Pig
- Rhino
- Rooster\*
- Tiger

## MISCELLANEOUS

- Baseball Glove
- Candy Shooter Gun\*
- Icee Bear
- Make-A-Face
- Personalized\*
- Psychedelic Eye\*
- Psychedelic Flower\*
- Regular\*
- Regular "Box"\*
- Regular US Zone
- Regular w/advertising\*
- Silver Glow A-dull silver
- Silver Glow B-chrome silver
- Space Gun\* (1950's)
- Space Gun\* (1980's)
- Whistle\*

## OLYMPICS

- Alpine\* (1972)
- Snowman (1976)
- Vucko Wolf\* (1984)
- Vucko w/cap\* (1984)
- Vucko w/helmet\* (1984)

## PEZ PALS

- Boy\*
- Boy w/cap\*
- Bride\*
- Doctor
- Engineer\*
- Fireman\*
- Girl\*
- Groom
- Knight\*
- Maharajah\*
- Mexican Boy\*
- Nurse\*
- Pirate
- Policeman
- Ringmaster\*
- Sailor
- Shiek\*
- Sheriff

## PREMIUMS

- Arithmetic\*
- Cocoa Marsh\*
- Donkey Kong Jr.
- Golden Glow
- Hippo
- Lion's Club Lion\* (1962)
- PIF the Dog
- Sparefroth
- Stand By Me

## TRUCKS

- A-single rear axle**
- Cab #1\*
- Cab #4\*
- Cab #16\*
- B-double axle, indented fender**
- Cab #8\*
- Cab #9\*
- Cab #13\*
- C-double axle, fender not indented**
- Cab #1\*
- Cab #2\*
- Cab #3\*
- Cab #4\*
- Cab #5\*
- Cab #16\*
- Cab #R1\*
- Cab #R2\*
- Cab #R3\*
- Cab #R4\*
- D-double axle, stationary wheels (1991)**
- Cab #R1\*
- Cab #R2\*
- Cab #R3\*
- Cab #R4\*

## DREAM CASTLE

- Wristwatch\*
- Clip-on\*
- Necklace\*
- Bracelet\*

\*=heads w/color variations

# PEZ WORLD TOUR IN PROGRESS!

PEDRO PEZ. That's his name and traveling's his game. The Fliptop PEZervation Society hopes to send this one PEZ ambassador around the world to promote the hobby and unite collectors. The boy PEZ Pal has kind of become the mascot of this newsletter. In fact, he's the PEZ that started my collection. So he was picked as our liaison to the world. He has been slightly customized so as to not get confused with your average PEZ boy without ambassador status. The head is on a blue base that has had the raised "P-E-Z" letters on one side replaced with the TFPS logo.



Hi. I'm PEDRO PEZ

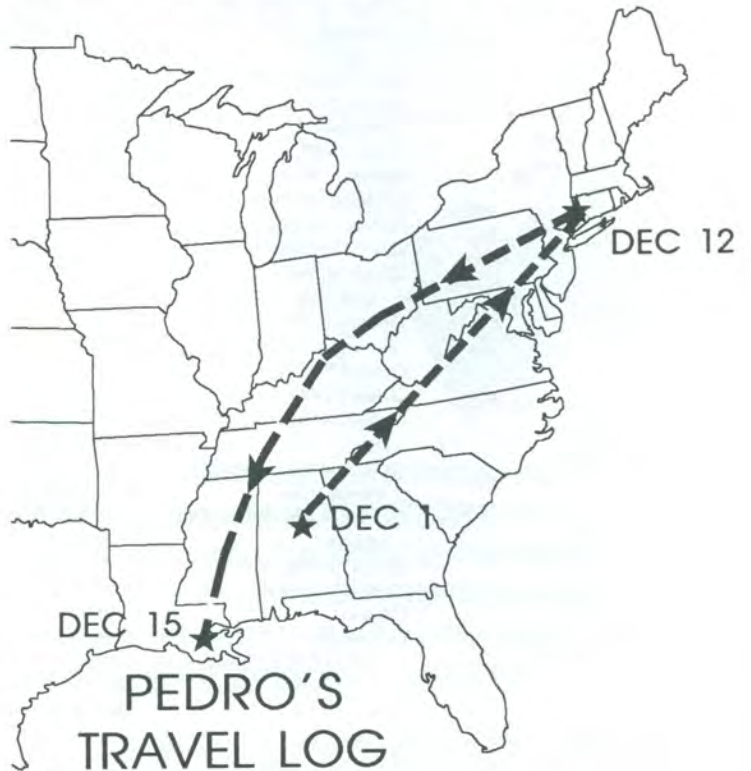
our liaison to the world. He has been slightly

customized so as to not get confused with your average PEZ boy without ambassador status. The head is on a blue base that has had the raised "P-E-Z" letters on one side replaced with the TFPS logo.

So what better place to start the World Tour Scrapbook, than the PEZ factory. PEDRO traveled to the PEZ factory in mid December to meet Scott McWinnie and the gang. He then hit the road again to travel to New Orleans. Unfortunately, he is apparently having too much fun because he didn't return to tell us about his travels before press time. So next issue we'll update you on his progress.

So if you're planning trip to, or live near, some famous or interesting place, why not take PEDRO along to join in the fun. He travels with his own camera, so there's no cost to you. If you're interested in helping out on the tour, give me a call. Or if you have any ideas on people he should meet or places he should go, let me know.

...To Be Continued!



PEDRO'S TRAVEL LOG

Wouldn't it be nice if everything came preloaded like NetWare Ready hardware?

NOVELL, the Novell, Netware, and NetWare Computing logo.

Ad in recent computer magazine

"In response to consumer requests, PEZ peppermint flavored mints for adults are being introduced, featuring a new refillable dispenser. The product is available in counter displays, blister packs and floor display shippers. A package containing one dispenser and six rolls of peppermint refills retails for \$1.89; a pack of eight refills is \$1.19; a pack containing three refills is 45 cents."

Information in recent confections trade publication



# Collecting PEZ®

Excerpts from *Toy Collector* magazine  
February 1996  
By Sharon Korbeck

When Richard Geary was a child, his parents always knew the best way to keep him quiet in the back of the car. They gave him PEZ. Today, hundreds of candy dispensers later, Geary has maintained his passion for PEZ. And like hundreds of others nationwide, he revels in collecting the candy/toy just for the "wonderfulness" of it.

"I enjoy PEZ, and I love it for what it is," says Geary, an Ohio collector and founder of the national PEZ-A-MANIA convention. Few PEZ collectors would

argue with Geary's point of view. While collectors of antique toys might collect for investment purposes, most PEZ collectors perhaps take more satisfaction in the charm and history of the clever creation.

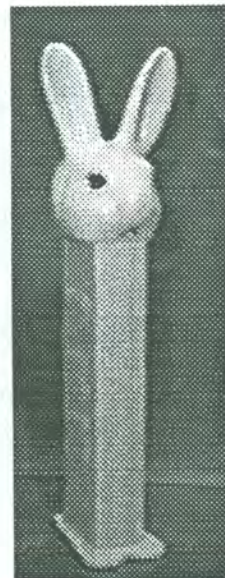
The dispensers have seen many product improvements through the years...the most obvious being the addition of feet. "One of the problems was they fell over," say PEZ president Scott McWinnie. Feet were added as a convenience factor, to allow the dispensers to stand up and be displayed. As far as secondary market value, it's really a personal decision as far as collecting "feet" versus "no feet" versions. In his recent book *Collecting PEZ*, David Welch says, "From a value standpoint, a head without feet is generally more valuable [and more desirable] than the same head with feet.

Throughout the PEZ lifetime, a wide array of generic and licensed characters have found their way onto dispenser tops. Just who decides what heads to use? McWinnie says company executives informally meet to decide what heads to select, but only after carefully researching the market. When deciding to pursue a licensed character, McWinnie says popularity and staying power are important. After selecting a licensed character, the legal paperwork begins. Amid 40 pages of legal documents, expensive mold creations, and a strict approval process, it may take months or even years to produce a single li-

**"These cheap, little candy dispensers have suddenly become hot collectibles."**

censed character. "We're deluged with every licensor in the world," McWinnie says, "and we turn down hundreds. More than half our business is unlicensed. In turn, PEZ Candy licenses it's name for use on watches, clothing, and Hall-mark ornaments.

Fans of numerous licensed characters can find their favorites, from Garfield and Peanuts to Disney and Looney tunes.



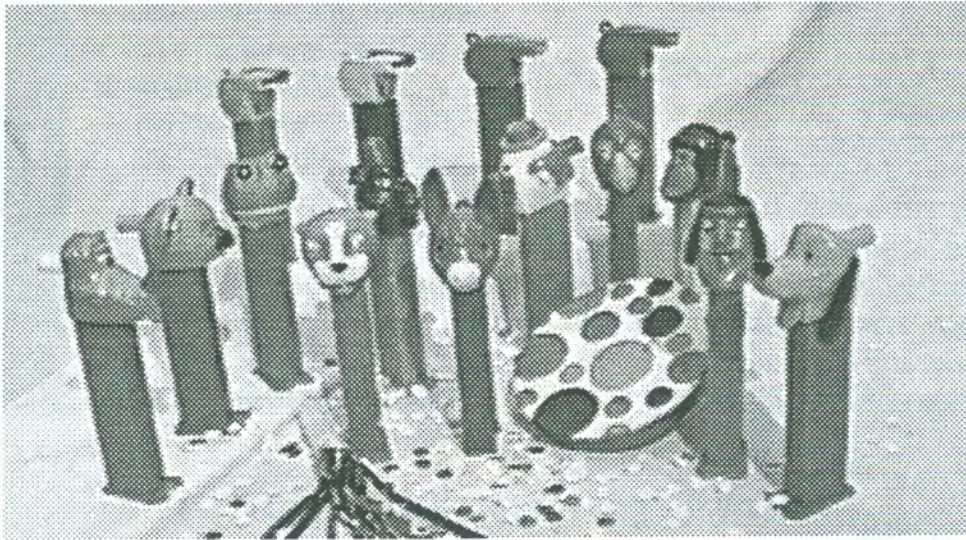
Even Sixties throwbacks will groove to the unusual Psychedelic PEZ, with eyeball flower heads and flower flavored candy.

Beginner collectors should be aware of doctored dispensers, which some people try to pass off as originals. Some dispensers have been redesigned or repainted to look like characters PEZ candy never distributed; others have the feet carefully broken off. McWinnie also expresses concern over what he calls "gray goods", which are PEZ items made overseas and not authorized to be sold in the United States.


Collecting PEZ today can start with a \$1.29 dispenser at your grocery store or a \$2,000 Mueslix dispenser. The European comic Characters Mueslix, Asterix, and Obelix are unusual and expensive. With Mueslix the most valuable (\$2,000), the latter two are now priced in the low to mid hundreds. Perhaps the most highly desirable PEZ dispenser is the Make-A-Face...a dispenser much like a Mr. Potato Head. Almost never found complete or packaged, the rare few in that condition have been known to command \$2,000 or more.

Over four decades have passed since the first PEZ dispenser came to the United States, but PEZ is well on it's way to being ingrained in popular culture and hobbyists' hearts. Inexpensive, readily available, and charming, they may just breed a whole new generation of PEZimists.

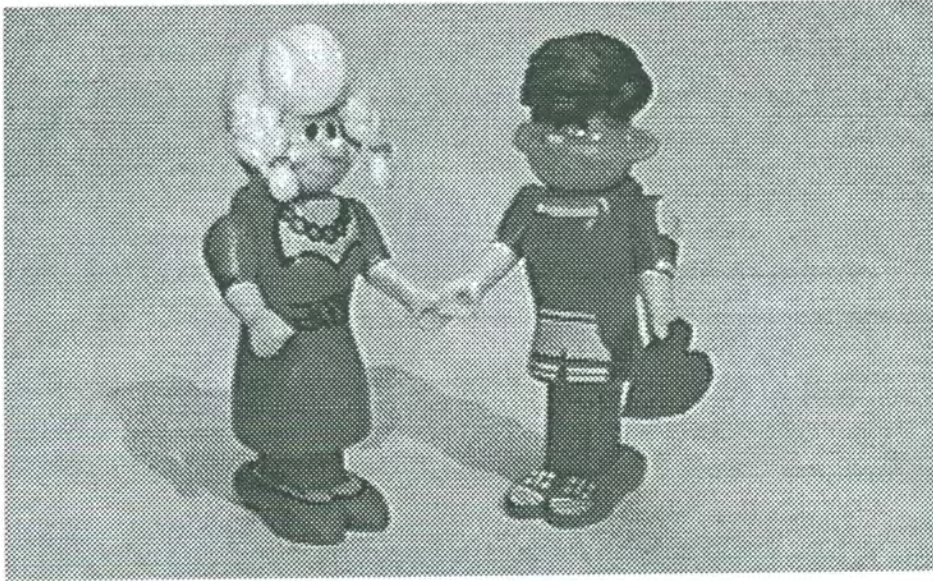
# JANUARY



Whistling in The New Year!

| SUNDAY  | MONDAY   | TUESDAY | WEDNESDAY | THURSDAY | FRIDAY   | SATURDAY                                  |
|---|--|---------|-----------|----------|--|---|
|   | 1<br> | 2       | 3         | 4        | 5<br>Central Florida<br>Fairgrounds,<br>Orlando FL | 6<br>Civic Center,<br>Dearborn MI         |
| 7<br>Expo Center,<br>San Mateo CA               | 8  | 9       | 10        | 11       | 12   | 13<br>Days Hotel,<br>Ft. Washington<br>PA |
| 14<br>Ocean Beach<br>Arena,<br>Daytona Beach FL | 15   | 16      | 17        | 18       | 19   | 20<br>State Fairgrnd.<br>Raleigh NC       |
| 21  | 22<br>Sharon Davis'<br>Birthday  | 23      | 24        | 25       | 26   | 27<br>Executive Inn,<br>Fife WA           |
| 28<br>Fire Hall,<br>Shrewsbury PA               | 29   | 30      | 31        |          |  |   |

# FEBRUARY



BE MY VALENTINE!

| SUNDAY                               | MONDAY | TUESDAY | WEDNESDAY | THURSDAY                          | FRIDAY | SATURDAY  |
|--------------------------------------|--------|---------|-----------|-----------------------------------|--------|---|
|                                      |        |         |           | 1                                 | 2      | 3<br>Elks Exhib. Ctr.,<br>Ft Lauderdale FL                            |
| 4<br>K of C Hall,<br>Algona IA       | 5      | 6       | 7         | 8                                 | 9      | 10<br>Linda Calland's<br>Birthday<br>Polk Co. Frngd,<br>Auburndale FL |
| 11<br>Eagle Fire Co.,<br>New Hope PA | 12     | 13      | 14<br>    | 15                                | 16     | 17<br>Expo Center,<br>Dalton IL                                       |
| 18                                   | 19     | 20      | 21        | 22<br>Dennis Martin's<br>Birthday | 23     | 24<br>Larimer Fairgnd.,<br>Loveland CO                                |
| 25                                   | 26     | 27      | 28        | 29                                |        |   |

The Original... The Biggest  
**PEZ-A-MANIA 6 Collectors Convention**  
 July 19 & 20, 1996      Cleveland, Ohio

Join convention organizer Jill Cohen and hundreds of fellow collectors for an informative and fun-filled weekend. Meet master Pez collectors and all major PEZ dealers. Add to your collection. Learn from the experts. See more PEZ than you ever imagined!

**CONVENTION AGENDA**

**FRIDAY**-Pick up registration souvenir bags and informal room hopping throughout the day.  
 6 pm Pizza & Pasta party (reserve in advance) 7 pm Bingo for PEZ!

**SATURDAY**-8 am Convention open for dealer set-up. 9 am Convention registrants admitted.  
 10 am Convention open to general public (\$5 admission, \$2 kids under 12)  
 1:30 pm Convention closed. 2:30 pm Auction begins. (convention registrants only)

**HOTEL RESERVATIONS 1-800-334-3741**

The Cleveland Airport Marriot is convenient to the Ohio Turnpike and major expressways. Free transportation from the airport. Be sure to mention PEZ-A-MANIA to receive a special block rate of \$72 per room. A limited number of Breakfast-For-Two packages are available at \$79 per room.

**DEADLINE FOR RESERVATIONS-JUNE 18**

Any reservation received after the deadline date will be accepted on a space or rate available basis. Book Early! Every hotel in the area sells out every weekend in the summer. Last year several registrants were not able to find rooms in the area, and others had to pay a much higher rate.

-----**Convention Registration**-----

Please register \_\_\_\_\_ people at \$20 per person. (\$25 after June 18)

\_\_\_\_\_  
 NAME                      STREET ADDRESS                      CITY    STATE                      PHONE (include area code)

\_\_\_\_\_  
 NAME                      STREET ADDRESS                      CITY    STATE                      PHONE (include area code)

IF YOU WOULD LIKE TO REGISTER MORE PEOPLE PLEASE USE THE BACK. Confirmation letters will be sent for all registrants except for those received the last week prior to the convention.

Please register \_\_\_\_\_ people at \$10 per person (\$5 kids) for Friday night pizza party)

Souvenir T-shirts \_\_\_\_\_ \$12 each. Indicate sizes \_\_\_S\_\_\_M\_\_\_L\_\_\_XL\_\_\_XXL

Souvenir Sweatshirts \_\_\_\_\_ \$23 each.                      \_\_\_S\_\_\_M\_\_\_L\_\_\_XL\_\_\_XXL

T-shirt & Sweatshirt are not included with registration and will be more expensive at the convention.

Please reserve \_\_\_\_\_ dealers tables at \$25 each. (\$30 after June 18) \_\_\_\_\_ Half tables at \$15  
 Dealer tables are only available to convention registrants.

Please make check payable to Jill Cohen & send registration to PEZ-A-MANIA, P.O. Box 18139, Cleveland Heights, OH 44118-0139. If You Have any questions or require more information, please send a self addressed stamped envelope.

PEZ is a registered trademark of PEZ Candy Company. This convention is not affiliated with the PEZ Candy Company.

# REGIONAL PEZ NEWS



## North East

This area has 47% of TFPS members

**Harvey Elefenstein** of Philadelphia wrote about his recent PEZ finds which include Mr. Ugly n/f for \$2.00 from an antique dealer in Cleveland, and a Crocodile for \$2.00 at an antique show in Allentown, PA.

**Jill Cohen** of Ohio says a friend of hers sent a picture of the much hoped for **Tazmanian Devil** PEZ from Holland! **Sarah J. Burpee** in New Hampshire got the new Warner Bros. in New York recently. Her father traveled to Europe in November and brought back the Superheros on the European cards. He's planning another trip in a couple of months. She says old PEZ are very hard to find in flea markets and antique stores in her area.

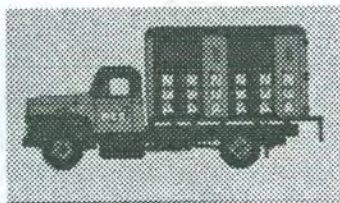
The Discovery Channel magazine supposedly had an article that featured PEZ in the December issue. (They did a story for a show on TLC I believe) If you have this article...please send it to me. **Liz Daly** says she hasn't found anything good recently in Illinois except the new Daffy Duck at K-mart.

Don't forget...the member who submits the most number of articles, photos, etc in a year gets half off their next years membership!

## South East

This area has 14% of TFPS members

YAHOO!!! The new **Daffy Duck** made it to Walmart stores in Alabama last November! **PEZ Truck Update...** the PEZ Candy #2 bank is due Feb. 1996. It's made by **First Gear**, & there are only 1260 pieces being made for **Ashville Office Supply**, 1446 Patton Ave., Ashville, NC 28806-1740. Order number is FIR 29-1714, price is \$40.75 ea. plus shipping. To order call 1-800-343-4685.



A friend of mine called from **Jacksonville, Florida** to tell me about a PEZ in a **Suzuki automobile commercia!** A man flicks one of the PEZ (a Pezasaur) and is transported into the car for a fun ride. He throws the PEZ out of the window, an old lady picks it up, flips the head, and she's now driving a Suzuki. If anyone sees this spot, please tape it for me! I'm adding to the PEZ video for the conventions. (dm)

## North West

This area has 9% of TFPS members

**Cactus Jack** of Iowa bought quite a few rare PEZ from The Blackhawk auction... including a Mint on card Make-A-Face, Bubblegum Boy, Alpine, and Pineapple to name a few.

### CORPORATE NEWS

PEZ will announce in February a re-release of the **Warner Bros.** line in the US. They will be ready for shipment in April and include some great additions! The new line will come with new package designs and include: Tazmanian Devil, Yosemite Sam, Speedy Gonzales, Daffy Duck, Bugs Bunny, (a redesigned) Sylvester, and Tweety Bird. PEZ will also bring the Body Parts to the US eventually, but apparently not anytime soon. Also, many of you have called about the PEZ **greeting card from Hallmark**. The card has the same picture as the Hallmark puzzle on the front and is blank inside. The card is actually made by Ambassador Cards. (which is owned by Hallmark) Not all Hallmark card stores carry Ambassador cards...so look for it where Ambassador cards are sold in your area.

## South West

This area has 30% of TFPS members



**Sharon Goodis** of San Diego writes to say one of the PEZ pages on the World Wide Web was mentioned in FUSION magazine as the Web site of the month. **John "The Cool PEZman" Devlin** writes with a counterfeit alert! He says to look out for reproductions of the **Full Body Santa display box**. He bought one by mail and sent it back because it was a repro. The dealer didn't know it was a repro and gave him a full refund. The box is done with a lazer printer and backed with gray cardboard. It has the right staples, but isn't diecut correctly. If you see one of these boxes...look it over carefully! **Monice & Jake Keller** called from Las Vegas to tell everyone about a great PEZ Christmas gift they received. Their son found a **Creature from the Black Lagoon** in an antique shop in Maui, Hawaii and sent it to them. Mrs. Keller says she buys many of her PEZ at Woolworth and Walmart in her area. They are collecting PEZ to give to their great grandson when he is older. Monice says she has about 85 different heads, but about 500 dispensers total.

# 1-PATENTED PLASTIC-3

I've received several calls recently asking if you can tell the age of a PEZ by the patent number. My research shows that you CANNOT pinpoint a specific date a dispenser was made simply by the patent number. You could tell to a degree when a dispenser was NOT made. For example...a 3,942,683 was probably NOT made prior to the 70's, because the patent was filed in 1974. But filing for a patent can take some time, so that number could have gone into use earlier while the patent was pending...or years after it was granted.

So what do the different PEZ patent numbers mean? Here's the basics:

## 2,620,061 (first US patent.)

### POCKET ARTICLE DISPENSING CONTAINER

Oskar Uxa, Vienna, Austria, assignor to Eduard Haas, Muhlbach-Attersee, Austria  
 Application October 14, 1949, Serial No. 121,251  
 In Austria October 28, 1948  
 3 Claims. (Cl.206-42)

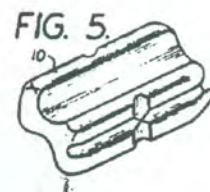
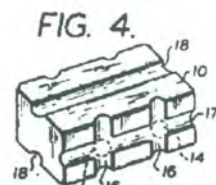
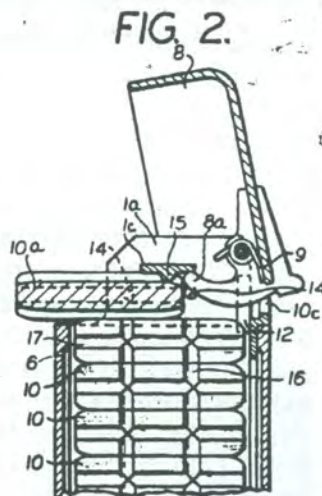


A container adapted to receive a stack of tablets or the like and individually to dispense same, comprising an elongated casing having a side opening near one end thereof accommodating a single item to be dispensed, spring means tending to longitudinally displace a stack of such items toward said one end, pivot means extending transversely of said casing adjacent said one end and at the side thereof remote from said opening, a cover swingable about said pivot means and provided with a portion covering said opening in a normal position of said cover, and a pusher member on said cover simultaneously with the latter about the axis defined by said transverse pivot means and comprising a cam-shaped portion with a curved outer edge centered substantially on said pivot means, said casing being apertured to admit said pusher member, said curved outer edge of the cam-shaped portion being of such configuration as to slide along the surface of the second highest item of the stack while an end of said pusher member, upon movement of said cover to an operated position, partially ejects the highest item of the stack through said opening.

## 3,410,455

(filed in US Dec. 13, 1966)

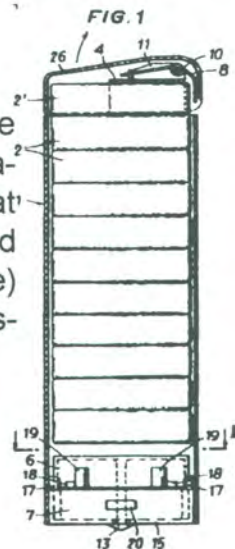
Several modifications were designed to allow PEZ dispensers to be used only with PEZ candy instead of cheaper brands of candy tablets. The candy was designed with grooves to slide along pins in the cartridge. I don't think PEZ fully made this type of candy/dispenser...but the indentation in the top of the candy may be a direct result of this patent.



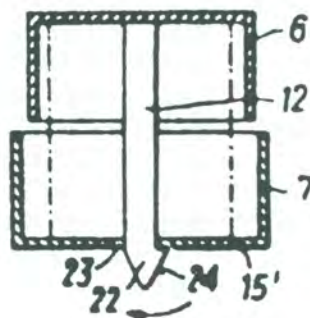
## 3,845,882

(filed in US Oct. 25, 1972)

The bottom of the dispenser was the focus of change in this patent. The major change was in the button that pushes up the candy. It was modified to allow for easier (and less expensive) manufacture and also to make the dispenser easier to load.

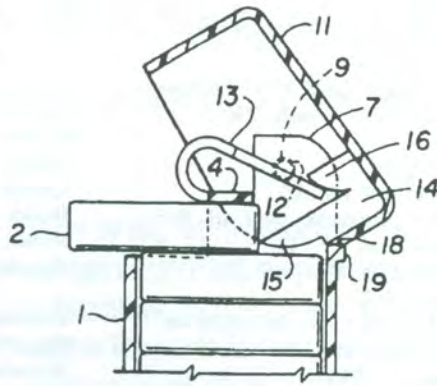


## FIG. 5



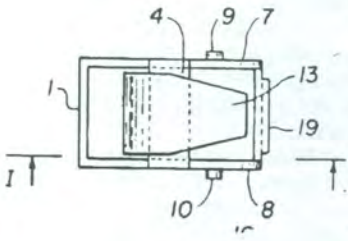
### 3,942,683

(filed in US Sept. 16, 1974)  
PEZ moved back to the top of the dispenser for more modifications. This patent saw the invention of the plastic blade spring and a tab on the back of the head to stop the head from tilting too far. This patent actually makes for some interesting reading.



"It is the primary objective of this invention...to simplify the assembly of the receptacle parts, more particularly by doing away with a separate cover spring whose assembly involved an especially time-consuming operation"

Furthermore, this patent goes into some detail about the materials used to build a PEZ.



"...while injection molding [with polystyrene] will be particularly inexpensive, the unit may also be produced in different ways and from different materials, such as sheet metal"

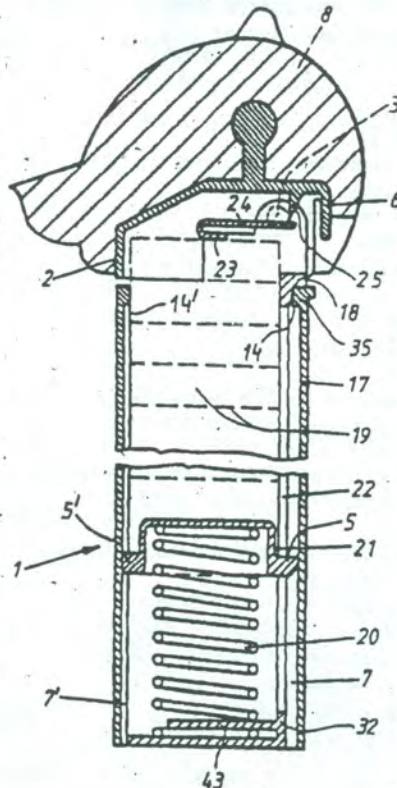
That would be cool...a sheet metal PEZ!

### 4,966,305

(filed in US Oct. 30, 1990)

"...it has been found that when such a tablet dispenser is improperly used, for example when the magazine is pulled out, leading to partial destruction of the sleeve... it is possible that the spring or the slide jumps out, which may in certain circumstances cause injuries"

This is the current patent number PEZ is putting on their dispensers. The main changes are for safety. Part #5 was modified to what the patent says is "hammer-shaped, thus keeping the button from shooting out if the PEZ is "mistreated". Also area #43 was added to keep spring from popping out.



## NEAR MISS ON THE CRUSADE FOR THE PEZ HOLY GRAIL

Most of you probably have a story about the big one that got away. Well, here's my recent brush with that one great find.

I saw some PEZ at the local flea market, and while looking at them, I heard another customer behind me tell his wife "Look PEZ...don't we have some of those"? I asked him if he was a PEZ collector, and he said he had some but mostly collected old toys. We struck up a conversation that led to him telling me he would sell me some of his PEZ and what was I looking for? When I mentioned Make-a-Face, the PEZ with interchangeable parts, he said "Oh I have one of those". I thought I was going to have to call 911 on the spot. He said he didn't know if it was what I was looking for but it had holes in the head for different parts. (breathe...breathe, I told myself) He said he had them at his barber shop and I could come by and take a look Monday morning. That was the longest weekend of my life! Had I actually found a Make-A-Face? Needless to say I was sitting out front of his shop with a pocket full of cash when he arrived Monday morning. His shop was a museum of collectibles. The walls were bulging with old toys and stuff. He began searching for the PEZ...which was no easy task with so much stuff lying around. Well, we searched for 30 minutes for his elusive box of PEZ, when a customer come in and ended the search. The barber told me he would have to look for it later and that I should check back with him. Didn't he understand! This was the Make-A-Face PEZ! Well, I went to work discouraged, but returned later in the day hoping he had found the holy grail. "I found it", he said. (call 911 again) He reached into his pocket and pulled out what I just knew was going to be MY Make-A-Face.... He was right, it was a PEZ with a bunch of holes for interchangeable parts. But what he thought was a Make-A-Face turned out to be the Mexican Boy PEZ Pal! OK, at least I got a PEZ for my troubles, and the next time, you never know! (dm)

# PEZ® SALE

Air Spirit-MIP w/old wild cherry & lemon candy (warehouse soft)...\$110  
 Angel-MIP w/old wild cherry & grape candy...\$50  
 Astronaut 2-aqua helmet...\$95  
 Baloo...\$15  
 Barney Bear-yellow or red stem w/f...\$15  
 Baseball Glove, Bat, Home Plate...\$450  
 Batman w/cape...\$125  
 Body Parts-8 different...\$5 each  
 Boy w/Cap (white hair)-MIP w/Sherriff sticker...\$75  
 Bozo Diecut...\$120  
 Brutus...\$135  
 Bugs Bunny-dark gray/red nose...\$10  
 Camel Whistle-MOC...\$65  
 Candy Shooter-orange...\$50  
 Captain (club med face)-MIP w/ Bi Centennial T-shirt Insert...\$110  
 Capt. America (black mask)-MIP, package torn on bottom, old strawberry & multi flavor candy...\$110  
 Capt. America(blue)-MIP w/superheros & Spiderman insert...\$55  
 Captain Hook...\$35  
 Cat w/Derby (red face)-MIP PEZ candy Ad insert...\$70  
 Charlie Brown-eyes closed w/f...\$75  
 Chick in Egg-purple or blue egg...\$15  
 Chip (pink face)-MOC...\$55  
 Clown w/Chin-yellow hat-n/f...\$40  
 Coach Whistle-pink/orange MIP old grape & mixed fruit candy...\$55  
 Cockatoo-blue face/red beak...\$35  
 Cool Cat-w/f...\$30  
 Cow A (yellow face/red nose)-MIP PEZ candy Ad insert...\$70  
 Cow A (blue face/yellow nose)...\$50  
 Cow A (yellow face/blue nose)...\$45  
 Cow B (blue head/horns)-n/f...\$45  
 Cowboy...\$210  
 Crocodile...\$75  
 Diabolic-MIP (Hong Kong) old mixed fruit and lemon candy...\$110  
 Dog Whistle-w/f...\$20  
 Dog Whistle-n/f...\$25  
 Donald Duck A-MIP w/Golden Glow insert...\$20  
 Donald Duck Diecut...\$120  
 Dopey...\$135  
 Droopy Dog-movable ears, w/f...\$15  
 Duck with Flower (red bill/blue flower)...\$65  
 Duck Nephew-blue hat...\$5  
 Duck Nephew-red hat...\$5  
 Duck Nephew-green hat...\$5  
 Duck Whistle-w/f...\$25  
 Dumbo-blue...\$15  
 Dumbo (blue face/grey blue trunk)...\$45  
 Elephant (orange face/blue flat hat)...\$55  
 Fat Ears Rabbit (ivory) w/Secret Code Flasher insert...\$65  
 Fireman-partial cheeks in yellow vending box...\$40  
 Foghorn Leghorn...\$50  
 Football Player-Mint in football box...\$135  
 Frankenstein-w/pin...\$175  
 Frog Whistle-w/f...\$20  
 Full Body Santa...\$135

Giraffe...\$75  
 Girl (yellow hair)...\$20  
 Goofy-removable nose-DBP 818,829 stem-n/f...\$30  
 Goofy A-removable teeth, MIP w/Secret Code Flasher insert...\$60  
 Gorilla...\$45  
 Home Plate...\$100  
 Hulk-light green-MIP w/f...\$5  
 Hulk-light green-Hungarian card w/f...\$15  
 Icy Bear-white stem w/f...\$6  
 Icy Bear-purple stem-MOC w/f...\$6  
 Indian Squaw...\$70  
 Indian Chief (white headdress/yellow tip feathers)...\$55  
 Jerry-3 piece w/f...\$15  
 King Louie-w/f...\$15  
 Knight (black feather)...\$185  
 Koala Whistle-w/f...\$20  
 Lamb (white face) old MIP w/wild cherry & lemon candy...\$35  
 Lamb Whistle-white w/f...\$15  
 Lamb Whistle-ivory w/f...\$20  
 L'il Bad Wolf-w/f...\$15  
 Lion w/Crown...\$55  
 Maharajah...\$35  
 Merlin Mouse-MOC w/f...\$15  
 Mickey Mouse A-removable nose-n/f...\$8  
 Mickey Mouse A-movable nose-MIP w/Golden Glow insert...\$20  
 Mimic Monkey-orange,blue,yellow face-n/f...\$25  
 Miss Piggy-w/eyelashes w/f...\$10  
 Miss Piggy-w/eyelashes w/f MIP...\$15  
 Mr Ugly (blue green) Costume book insert...\$70  
 Mr Ugly (dark green) w/f...\$15  
 Monkey Sailor...\$25  
 Monkey Whistle-w/f...\$15  
 Mowgli-w/f...\$15  
 1950's Space Gun (blue)...\$195  
 1950's Space Gun (green)...\$195  
 1980's Space Gun (orange)...\$55  
 1980's Space Gun (silver)...\$150  
 Octopus (black)...\$50  
 Octopus (red)...\$75  
 Olive Oyl...\$175  
 Olympic Snowman-long carrot nose...\$350  
 One-Eyed Monster (mauve)...\$95  
 Orange...\$125  
 Original PEZ Make-A-Face shoes...\$1 ea.  
 Panda-old MIP w/ love PEZ sticker...\$50  
 Peter Pan...\$75  
 Peter PEZ-original...\$60  
 Petunia Pig...\$15  
 PEZ Clickers(set of 15) MINT...\$150  
 Pilgrim (yellow band) MIP Bicentennial Tshirt insert...\$100  
 Pilot-MIP Spiderman insert w/old strawberry & multi-flavor candy...\$115  
 Pirate...\$30  
 Pluto-round head MIP costume book insert...\$40  
 Policeman-MIP secret code flasher insert...\$65  
 Police Whistles-8 variations w/f...\$2 ea.  
 Pony(caramel w/red bridle)...\$85  
 Popeye A (cream face)...\$135  
 Popeye B-MIP pack torn on bottom...\$55

Practical Pig A-MIP w/ Love PEZ sticker...\$55  
 Practical Pig A-n/f...\$25  
 Rabbit-fat ears-yellow or pink...\$10  
 Raven (yellow beak/red glasses)...\$25  
 Raven (yellow beak/red glasses)-MIP...\$45  
 Raven (blue head/orange beak)-w/f...\$30  
 Regulars-new MOC (6 colors) \$3 ea.  
 Robot (full body)-light blue...\$350  
 Robot (full body)-red...\$350  
 Rooster (yel. face/orang. comb)-MIP w/B4 costume...\$65  
 Rooster-white w/f...\$20  
 Rooster-yellow w/f...\$25  
 Rooster Whistle-w/f...\$20  
 Rudolph-MIP...\$35  
 Sailor...\$85  
 Santa A (cream face)...\$125  
 Scrooge McDuck A-MIP old wild cherry & lemon candy...\$40  
 Sheik (black band)...\$50  
 Sheriff...\$90  
 Silver Glow-MOC...\$20  
 Skull A-n/f...\$10  
 Smurf...\$6  
 Smurf-MIP w/f...\$10 (blue, white, red stem)  
 Smurf-Papa w/f...\$6  
 Smurfette-w/f...\$6  
 Snow White (yellow collar)...\$80  
 Snoopy-eyes open w/f...\$10  
 Snoopy-eyes open MOC w/f...\$15  
 Spaceman (lt. blue helmet)-helmet has crack...\$95  
 Spiderman-MIP-Int'l Fan Club insert wild cherry/ multi flavor candy...\$50  
 Spook-MIP(hong Kong) oldmixed fruit & lemon candy...\$125  
 Stewardess...\$85  
 Thor-MIP Spiderman/superhero insert...\$175  
 Thor...\$150  
 Thumper-w/f...\$25  
 Tom-3 piece-MOC...\$10  
 Tyke A-w/f...\$20  
 Tyke B-w/f...\$15  
 Wile E. Coyote...\$20  
 Winnie the Pooh...\$20  
 Wonder Woman-w/raised star...\$15  
 Yappy Dog (orange or green face)-n/f...\$40  
 Yappy Dog (light green)-MIP costume book insert...\$75  
 Zombie-MIP 2 packs wild cherry candy...\$110  
 Zorro-MIP curved mask, Secret Code Flasher insert...\$85  
 Zorro w/Logo...\$50

## TRUCKS

A4 (blue cab/yel stem)-MIP strawberry & lemon candy...\$125  
 A4 (purp. cab/blue stem)-MIP 2 strawberry candy packs...\$125  
 A16 (Gr. cab/yel stem) MIP strawberry & grape candy...\$125  
 B8-pink cab/green truck...\$35  
 B9-green cab/orange or yellow truck...\$35  
 C1,2,3,4,5,16-pink w/black stems...\$10 ea.  
 C1,2,3,4,5,16-yellow w/black stems...\$10 ea.  
 R1,2,3,4-non-movable wheels (36 variations) ...\$2 ea.

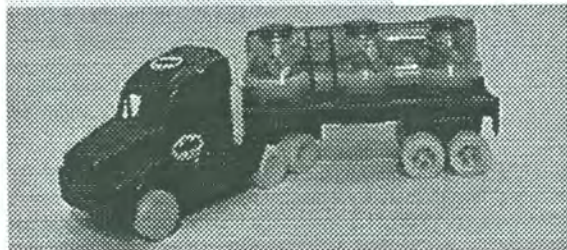
LINDA KOCHENBURGER 265 Beverly Hills Rd. Fort Lee, NJ 07024 (201) 947-6613 (fax/phone)

All items in Excellent or better cond. unless specified. Please include \$5 shipping. Willing to buy or make trades for older or discontinued PEZ.



# OTHER CANDY THAT'S DANDY

A sure "fix" for anyone having a hard time finding PEZ!

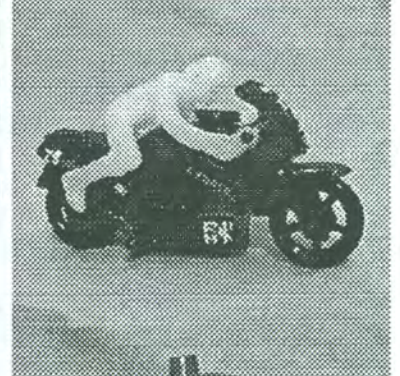
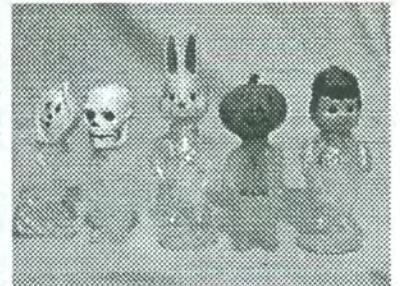


First of all, let me say that my loyalty will always remain with PEZ dispensers as my number one collectible. But so often, those great PEZ finds come few and far between. So to keep my collecting spirit alive, I collect other plastic candy containers... and I would recommend it to anyone. There are hundreds of plastic character and figural containers out there that display quite well with PEZ collections. Many characters found on PEZ are available as full body or head shaped candy containers.

The main difference between PEZ and these other candy containers is staying power. While PEZ can be found in stores all year, popular candy containers usually appear on the market to coincide with the latest hit movie...and fade as fast as the crowd at the box office. Also, holidays are a good time to find candy containers. There are a wide variety of Easter bunnies, Santa Clauses, and ghosts, every year. But again, when the holidays are over, they're gone.

Lately, there has been a surge of new candy containers on the market targeted towards the kid of the 90's. Most aren't character related, but they have battery operated lights or noise makers, electronic dispensing mechanisms, and even talking dispensers! I'm afraid the PEZ Arithmetic dispenser wouldn't stand a chance today.

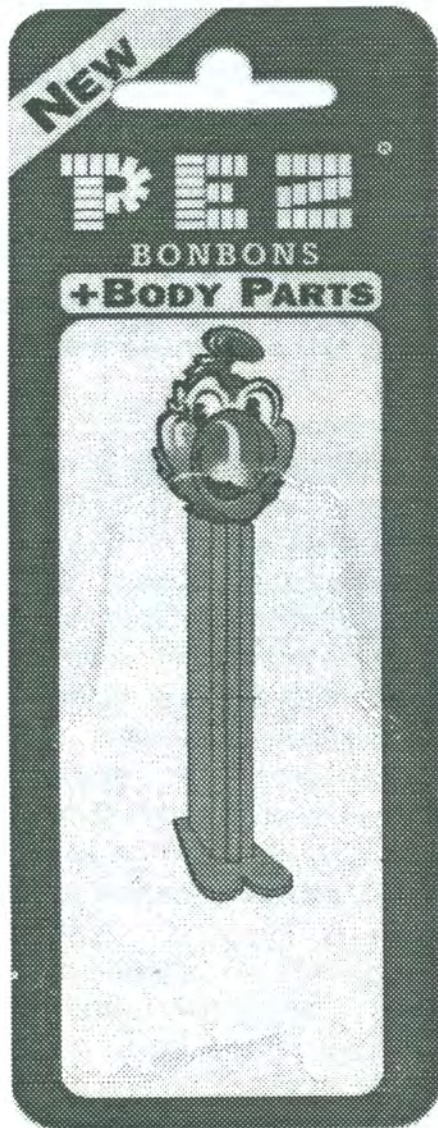
New dispensers can be found at most drug stores, toy stores, discount stores, or anywhere you would buy new PEZ. Old ones, like PEZ, can be found at thrift stores and garage sales. And the best thing is they can still be had for almost no money! So, tell your PEZ they're about to have new neighbors, and join the ranks of candy container connoisseurs.



# IT'S ALL IN THE CARDS!

IF YOU COLLECT THE BLISTER CARDS PEZ ARE SOLD ON...HERE'S A CHECKLIST OF MANY STYLES AVAILABLE

- Annie/ blue card
- Body Parts-says BonBons + Bodyparts/pink card with (bird?) PEZ.
- Candy Refill-"Sugar Free"/ blue card
- Candy Refill-"Sugar Free" 7 pack/ blue card
- Candy Refill-small star says "Value Pack"/ yellow card
- Candy Refill-7 pack says "Fun & Games On Back"/ yellow card
- Candy Refill-10 pack/yellow card
- Candy Refill-foreign strip with word "Bonbons", recycle symbol & banner that reads "Neu! Mit, Sticker Zum Sammein"/ pink,blue,yellow card
- Candy Shooter-wide card with boy shooting gun/ yellow card
- Christmas-big tree in the middle/ red card
- Christmas-Santa holding Snowman PEZ/ blue card
- Disney-Mickey & Donald on rope/ blue card
- Disney-Big Mickey at top/ green card
- Disney-big Mickey Mouse head
- Dinosaurs-(domestic)/green card
- E.T.-blue w/E.T. from Spain
- Easter-basket full of eggs/ pink card
- Easter-white Bunny/ pink card
- Euro Disney-says "Kids Go Free to Euro Disney"/ yellow card
- Flintstones/ blue card
- Garfield/ purple card
- Generic-white square at top says "Fill me with PEZ candy and play with me"/ (color variations exist)
- Generic-white card with PEZ logo and "CANDY" in cartoonish letters, wider than normal card
- Generic-wide card with a "balloon" pointing toward dispenser. Balloon says "Fill me with PEZ candy and play with me."



- Halloween-big pumpkin at top/ orange card
- Halloween-Witch on broom/ green card
- Kids-generic PEZ card with 2 cartoon kids (boy holding Peter PEZ)/ blue card
- Kosher-has kosher symbol on front/ blue card
- Make a face/ blue card
- Make a face-(foreign)/ blue card
- Muppets/ yellow card
- Ninja Turtles/ red card
- Party Pack-had balloons & candy/ red & orange stripes, blue card
- Peanuts-Snoopy on house/ pink card
- Peppermint-newest card, says "PEZ Peppermint"/blue card
- Peppermint- same as above with "8 Pack" on top/blue card
- Silver Glow-Hungarian card has hand holding dispenser and small yellow stars in back ground. Say "Cool & Fresh"
- Smurf-Smurf on mushroom/ yellow card
- Space Gun- 1980's, says "Space Gun" in PEZ letters/ blue card
- Stars-(foreign) yellow smiley face stars at top/blue card
- Stripe-(foreign) with word "Bonbons"/pink, blue,yellow card
- Stripe-(foreign) with word "Bonbons" & # 2,09 on bottom/ pink,blue,yellow card
- Stripe-(foreign) with white hi-lite where head goes/ pink,blue,yellow card
- Stripe-(foreign) with words "Bonbons Candy" & white hi-lite/ pink,blue,yellow card
- Stripe-(foreign) with word "Bonbons" & recycle symbol/ pink,blue,yellow card
- Stripe-(foreign) Merry Music Maker card
- Stripe-(foreign) with word "Bonbons" and "Nouveau"/pink,blue,yellow card
- Sugarless-has a tooth under an umbrella and says "Zuckerfrei Snas Sucre Suikervrij" or "Zuckerfrei Zahnschonend"
- Superheros-Spiderman & Hulk/ yellow card
- Superheros-Batman & Wonder Woman/ red card
- Valentine-Boy & Girl in front of heart/ pink card
- Valentine-big heart hanging over edge of card/pink card
- Warner Bros.-Daffy and Bugs/ red card
- Warner Bros.-Tweety & Sylvester/ green card
- Warner Bros.-background of card is colored circles like on the end of Warner cartoons
- Winter-(foreign) striped card, 3 styles, cartoon skier, sleder, or snowboarder/ pink,blue,yellow  
(Many cards have been re-printed with new candy weight values printed on them)

# BUY SELL TRADE

COLLECT 'EM ALL!

**PEZ ADVERTISING** and display items wanted. Also older PEZ color variations. **MARYANN KENNEDY 409 N. 5th St. Marshall, MN 56258 (507) 532-6926**

**CANADIAN COLLECTOR** Willing to help American collectors obtain Canadian and European PEZ (including Body Parts) on a sell or trade basis.

**KEVIN SCOTT RR#1 Sebringville, ON NOK 1X0 Canada**

**WANTED:** Buying PEZ, anything PEZ, TV Pals, Yummies, Totems, Crazy Fruits, Jay Ward & Hanna Barbera watches, Robots, Space & Battery Op toys-any condition. **STAN LUKSENBURG 21457 Lorain Rd. Fairview Park, OH 44126**

**COLLECTOR** looking for lose PEZ n/f and PEZ look-a-likes. Unusual stem variations also wanted. Damaged PEZ of interest as well as current European/Canadian, paper & promo items needed. Send your best prices to: **GARY OLSEN 702 Stonegate Lane Stanhope, NJ 07874**

**START PLANNING YOUR SUMMER VACATION NOW!** PEZ-A-MANIA 6 will be at the Cleveland Airport Marriott July 19th & 20th, 1996. **PEZ-A-MANIA PO Box 18139 Cleveland Heights, OH 44118** Have a PEZZIN, New Year! **JILL COHEN**

**PEZ SALE:** Policeman \$15, Shiek \$20, Maharajah \$25, Pirate \$25, Fireman in vending box \$30, Zorro with logo \$45, Candy Shooter \$45, 80's Space Gun \$55, Cow B \$45, Yappy Dog (green or orange)\$35 each, Mr Ugly w/feet \$15, Jerry B (removeable mouthpiece, with feet) \$6, Baseball ball & glove \$145, Batman with cape \$125, PLUS HUNDREDS MORE! Shipping/insurance will be added to each order. Please call between 7-10 pm EST. **JOHN LaSPINA 57 Oakey Drive Kendall Park, NJ 08824 (908) 821-0239**

**THE PEZ ARCHIVES** 8 1/2" X 11" photocopies of the following PEZTORICAL publications available @ \$2 each. \$4 shipping additional shipping each set of news-

letters. (overseas add \$8 per set) **THE OLD VARIETY STORE**-June 1987 thru Nov/Dec 1989 (15 issue), **THE OPTIMISTIC PESSIMIST**-Jan 1990 thru July 1992 (15 issues), **POSITIVELY PEZ**-Jan 1993 thru Jan 1996 (19 issues) Single copies available for \$2 each plus .50 per copy postage. Please send SASE for my new sales list. **KABAYAS-MIB** from Japan. 4 frogs "Kerokerokeeokee"-\$5 ea., 4 monsters "Ochoman"-\$5 ea. **NEW PEZ BANK TRUCK #2** available February 1996-\$40+\$4 shipping.

**LINDA KOCHENBURGER 265 Beverly Hills Road Fort Lee, NJ 07024 (201) 947-6613**

**TOP DOLLAR PAID** for rare and unusual PEZ. Adversiting Regulars, Bride, Arithmetic, Lion's Club, Diecuts (Casper, Easter Bunny, Bozo, Mickey, & Donald). Also premiums and any PEZ dispensers from 50's, 60's, & 70's. **RON CASPARI 214 Piermont Rd. Norwood, NJ 07648 (201) 768-3875**

**WANTED!!! Anything PEZ, anything at all** (willing to be sold under \$50) I have most common dispensers and a few European, including Body Parts. Please write, call or FAX. **SARAH JAYE BURPEE 46 Pearson Rd. Merrimack, NH 03054. Phone 603-471-0751 anytime, in evenings or weekends FAX 603-471-0751 anytime. Thanks!**

**PEZ WANTED:** Looking for 60's-90's PEZ dispensers, & other PEZ merchandise. **RON GOETZ (216) 498-1040**

**BRIDE & GROOM** needed for my wedding cake. Can't get married without them! **LONNIE 1838 5th Ave S. Fargo, ND 58103 (701) 237-5881.**

**RECENT PEZ DISPENSERS!** Don't feel like hunting? I'll send you 10 different dispensers for \$20.00 That includes shipping. Send money order to **WILLIAM DANIELS 511 Charlton St. Southbridge, MA 01550**

**ATTENTION PEZ COLLECTORS** in the Philadelphia, PA area: Anyone interested

in forming a PEZ collector's group that will meet periodically(monthly) to swap information & educate each other about PEZ, swap-buy-sell, and swap lies about "the PEZ that got away", contact **HARVEY ELEFESTEIN at 215-677-3830 (Between 7:30 & 9:30 PM)**

**PEZ COLLECTOR** seeking the following: Lucy w/white eyes, baseball for glove, homeplate, old lapel pins, and unusual PEZ or related items. Older MOC items and boxes needed. Send best price to **GARY OLSEN 702 Stonegate Lane Stanhope, NJ 07874**

**BUY, SELL, TRADE** Hope to see everyone in St. Louis or Ohio! 1996 looks to be the best conventions yet! Keep on PEZZing! Happy holidays!

**JOHN "THE COOL PEZMAN" DEVLIN**

## Abbreviations

**Melt**-any defect on the dispenser resulting from the plastic melting.

**MOC**-Mint On Card; item is in Mint condition on original card.

**MIB**-Mint In Bag; item is in Mint condition in original bag.

**NM**-Near Mint; item isn't brand new but is in near new condition.

**n/f**-No Feet.

**SASE**-Self Addressed Stamped Envelope.

**w/f**-With Feet.

## The Fliptop PEZervation Society

### ADVERTISING RATES

Classified ad ...free

1/4 page...\$10

1/2 page...\$20

Full page...\$30

\*SPECIAL\* Buy 5 ads and the 6th one is free!



# BACKPAGE NEWS

Re-print from *Minnesota Monthly*  
December 1995

## PEZ Cemetery

*Maryann Kennedy's home has become the final resting place for an amazing collection of PEZ candy dispensers.*

It started in Austria in 1927 as a candy for adults. Created by Eduard Haas—a food company mogul and an avid antismoker—it sold as a cigarette substitute in rectangular dispensers the size and shape of cigarette lighters. The flavor was pfefferminz—the German word for peppermint. In the 1950's Haas introduced it in America. Where it promptly bombed.

It bombed, that is, until he got the bright idea of affixing colorful, plastic cartoon heads on the dispenser tops and re-marketing the product as a children's toy. It was an instant, fruit flavored hit. It was cool to be a kid and flip back the Popeye or Mickey head to pop the tiny candy bricks into your mouth. Even it's name was cool. PEZ.

Now, some 40 years and hundreds of cartoon characters later, PEZ has finally acquired that adult following it once wooed; it's not really the candy that interests them, though, so much as it is those plastic cartoony dispensers. Oddly enough, people collect them by the hundreds. And a whole fleet of peripheral businesses have sprung up around the candy: collectors subscribe to newsletters, correspond with "PEZ Pals", buy books about PEZ history, and fly off to PEZ conventions.

Lucky for us, Minnesota is home to the preeminent PEZ historian of all time: Maryann Kennedy, a 63 year old nurse and grandmother who lives in Marshall. We know she's the best because the *Wall Street Journal* said so in a 1993 story. Kennedy wrote the chapter on PEZ in *Tomart's Garage Sale Gold*. And, before the four PEZ history books were published, she received the calls and letters of curious collectors, forwarded to her from PEZ Candy Inc.

### How did you start collecting?

*I started by collecting glass candy containers. I belonged to a candy container club. But back in the 70's—I guess it's my kid's fault—they'd bring home PEZ dispensers and say "Mom, what about these?"*

### How Many PEZ dispensers do you have?

*I've never counted*

### Around a hundred? A thousand?

*More like a thousand. Over five hundred. Probably between 500 and 700.*

### That's a lot. So are they all over your house?

*We have a room called the "candy room". It used to be a bedroom. It houses the PEZ and all the PEZ related items.*

### PEZ related items?

*I have a PEZ Frisbee, a PEZ skateboard. I have a couple of dolls that wear PEZ hats and PEZ backpacks. The room is quite full.*

**Are there other theme rooms in your house, or do you only collect candy containers?**

*I collect lots of things. I have a large collection of Fanny Farmer items. I collect Kitchen primitives. Viking things. Our home is furnished in antiques. Both my husband and I are collectors, so we're very compatible.*

**The Wall Street Journal called you "the pre-eminent PEZ historian". How does one earn such a distinction?**

*Most everybody was interested in the dispensers. But I was also collecting ad sheets and display items. Ad sheets tell you a lot. They tell you dates and colors of characters. Most of the ad sheets are full color.*

**The Journal article also said the PEZ company isn't much interested in it's own history and that there's a controversy among collectors about which character was made first. What were some of the first characters, and which ones are out there now?**

*The first ones were probably Popeye, Bozo or Casper. And then at the holidays Santa, the Easter Bunny, and the witch, which they still put out. Right now there are Ninja Turtles. Batman, Bugs Bunny, a Flintstone set, a dinosaur set, and regulars. They just reintroduced peppermint in dispensers without heads. They're trying to recapture the breathmint market.*

### Do you go to the PEZ conventions?

*I've been to every one of the national conventions in Cleveland and St. Louis. I recommend that all collectors go to a convention. There's a lot of camaraderie. Newer collectors learn a lot about earlier dispensers that they would probably never see otherwise. It's just fun.*

### How many people go to these things?

*Ohio draws about 250, the one in St. Louis about 150.*

### How many collectors are there altogether?

*I really don't have any idea.*

### What kind of people collect PEZ?

*Most are baby boomers who had them as kids. It's a nostalgic thing.*

### What are your favorite characters?

*I like Snow White. And I like the pony from the circus set.*

### Is a PEZ collection worth a lot.

*Usually, they're not sold by the collection. You can find some deals at garage sales. There's always the chance that you're going to get one worth \$500 for a nickel. But I really don't like talking about what they can sell for. It gives an inflated idea of what they're worth.*

### Do you ever sell any of yours?

*I'm not in it to make money. I just like collecting and meeting collectors. My kids will probably have to dispose of them. They shudder whenever they think of that. They look at our house and think, "I hope they live forever."*